

# External Power Supply Installation and DTV Tuner Connections for Engage™ (15" LCD) Consoles with Digital TV Tuner (NTSC/ATSC/QAM):

M051-00K88-A002

Date: 12/09

This document provides information on the new external power supply configurations and DTV Tuner Connections for Engage Consoles with Digital TV Tuner for the following equipment:

- 95T Treadmill
- 95R Recumbent Lifecycle® Exercise Bike
- 95X Cross-Trainer
- 97C, 95C Upright Lifecycle® Exercise Bike

## 95T Treadmill

### Check for External Power

The Engage™ (15" LCD) Console that is serial coded "DLB" can receive both analog and digital signals. Life Fitness is not responsible for the installation of CATV service or components required for the delivery of CATV service. An external TV signal input via a 75-ohm coaxial cable must be present before TV setup can occur.

The Engage Console that is serial coded "DLT" for U.S. markets is powered by a single 12-volt DC power supply. "DLT" coded units have a Digital TV Tuner (NTSC/ATSC/QAM). **Note:** The Engage Console that is serial coded "ANN & ANP" for non-U.S. markets will continue to not use an external power supply. "ANN & ANP" coded units have an Analog TV Tuner (NTSC).

If a 17" Attachable TV is used with the Inspire™ (7" LCD) or Achieve™ Consoles, then a 12-volt DC power supply is needed for the 17" Attachable TV.

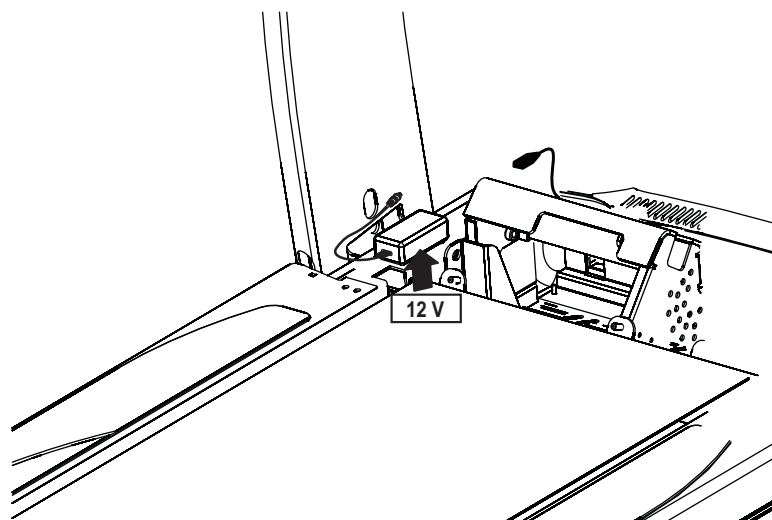
**Note:** If any of the consoles do not light up, contact Life Fitness Customer Service at 800-351-3737.

Product Configuration	External Power Supply
Engage Console ("DLT")	12 V
Engage Console ("ANN" & "ANP")	N/A
Inspire or Achieve Console	N/A
Inspire or Achieve Consoles with 17" Attachable TV	12 V

### Recommended Installation of External Power Supply:

- Remove the protective liners from two of the provided fastener strips.
- Attach the fastener strips to the bottom of the 12 V power supply.
- Remove the remaining protective liners from fastener strips.
- Secure the power supply to the frame as shown.

**Note:** The power supply is located under the shroud.



### Note to the CATV Installer:

This reminder is provided to call the CATV system installer's attention to Article 820-40 of the NEC that provides guidelines for proper grounding and, in particular, specifies that the cable ground shall be connected to the grounding system of the building as close to the point of cable entry as practical.

# 95X Cross-Trainer

## Check for External Power

The Engage™ (15" LCD) Console that is serial coded "DLB" can receive both analog and digital signals. Life Fitness is not responsible for the installation of CATV service or components required for the delivery of CATV service. An external TV signal input via a 75-ohm coaxial cable must be present before TV setup can occur.

The Engage Console that is serial coded "DLB" for U.S. markets is powered by **two** external power supplies: a 36-volt DC power supply and a 12-volt DC power supply. "DLB" coded units have a Digital TV Tuner (NTSC/ATSC/QAM). **Note:** The Engage Console that is serial coded "ANN & ANP" for non-U.S. markets will continue to use a single 36-volt DC power supply. "ANN & ANP" coded units have an Analog TV Tuner (NTSC).

The 36-volt power supply is optional for the Inspire™ (7" LCD) and Achieve™ consoles. If a 17" Attachable TV is used with the Inspire or Achieve consoles, then a 12-volt DC power supply is needed for the 17" Attachable TV.

Product Configuration	External Power Supply
Engage Console ("DLB")	36 V and 12 V
Engage Console ("ANN" & "ANP")	36 V
Inspire or Achieve Console	36 V (optional)*
Inspire or Achieve Consoles with 17" Attachable TV	36 V (optional)* and 12 V

\*Self-Powered

### Recommended Installation of External Power Supplies:

- Remove the protective liners from two of the provided fastener strips.
- Attach the fastener strips to the bottom of each power supply.
- Remove the remaining protective liners from fastener strips.
- Secure the power supplies to the underside of the center frame as shown.
- Plug connectors to appropriate receptacles.
- Plug Y-Cord into an AC outlet.

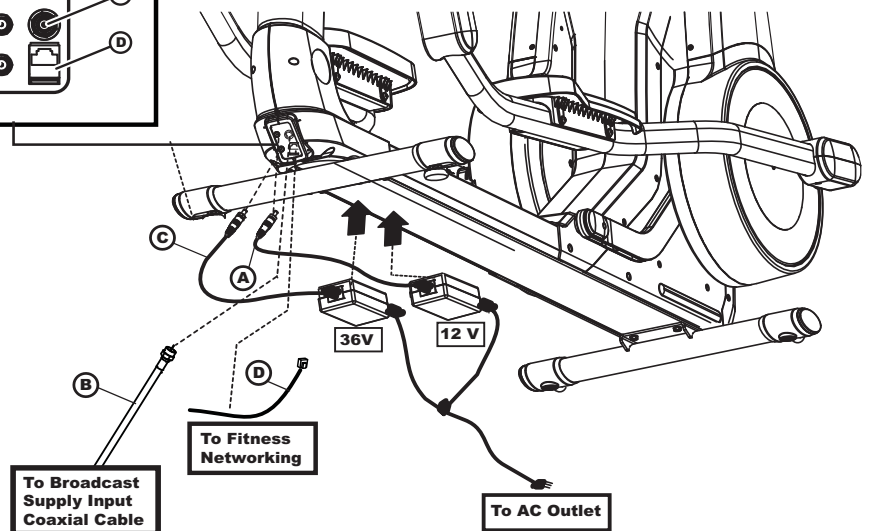
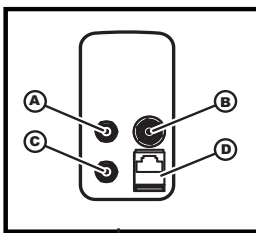
### Note to the CATV Installer:

This reminder is provided to call the CATV system installer's attention to Article 820-40 of the NEC that provides guidelines for proper grounding and, in particular, specifies that the cable ground shall be connected to the grounding system of the building as close to the point of cable entry as practical.

For external powered units, the console should immediately beep and light up. The Engage console will show a message indicating it is initializing (for up to 2 minutes). **Note:** If any of the consoles do not light up, contact Life Fitness Customer Service at 800-351-3737.

The following connection receptacles are located at the front of the Cross-Trainer:

- 12-V Power for Attachable TV or Engage Console ("DLB")
- Broadcast Supply Input Coaxial Cable
- 36-V External Power
- Fitness Networking



**CAUTION:** Connectors should easily fit into the receptacles. Forcing a connection may lead to damage to the barrel connector and/or receptacle and may void product warranty.

# 95R Recumbent Lifecycle® Exercise Bike

## Check for External Power

The Engage™ (15" LCD) Console that is serial coded "DLB" can receive both analog and digital signals. Life Fitness is not responsible for the installation of CATV service or components required for the delivery of CATV service. An external TV signal input via a 75-ohm coaxial cable must be present before TV setup can occur.

The Engage Console that is serial coded "DLB" for U.S. markets is powered by **two** external power supplies: a 36-volt DC power supply and a 12-volt DC power supply. "DLB" coded units have a Digital TV Tuner (NTSC/ATSC/QAM). **Note:** The Engage Console that is serial coded "ANN & ANP" for non-U.S. markets will continue to use a single 36-volt DC power supply. "ANN & ANP" coded units have an Analog TV Tuner (NTSC).

The 36-volt power supply is optional for both the Inspire™ (7" LCD) and Achieve™ Consoles. If a 17" Attachable TV is used with the Inspire or Achieve Consoles, then a 12-volt DC power supply is needed for the 17" Attachable TV.

Product Configuration	External Power Supply
Engage Console ("DLB")	36 V and 12 V
Engage Console ("ANN" & "ANP")	36 V
Inspire or Achieve Console	36 V (optional)*
Inspire or Achieve Consoles with 17" Attachable TV	36 V (optional)* and 12 V

\*Self-Powered Option

### Recommended Installation of External Power Supplies:

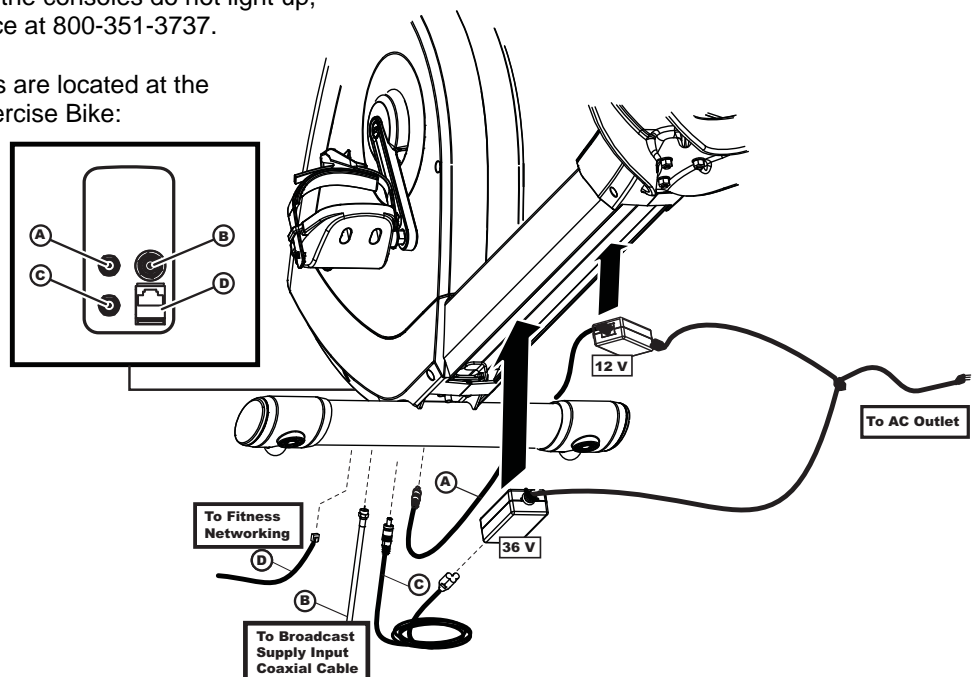
- Remove the protective liners from two of the provided fastener strips.
- Attach the fastener strips to the bottom of each power supply.
- Remove the remaining protective liners from fastener strips.
- Secure the power supplies to the underside of the center frame as shown.
- Plug connectors to appropriate receptacles.
- Plug Y-Cord into an AC outlet.

**Note to the CATV Installer:**  
 This reminder is provided to call the CATV system installer's attention to Article 820-40 of the NEC that provides guidelines for proper grounding and, in particular, specifies that the cable ground shall be connected to the grounding system of the building as close to the point of cable entry as practical.

For external powered units, the console should immediately beep and light up. The Engage console will show a message indicating it is initializing (for up to 2 minutes). **Note:** If any of the consoles do not light up, contact Life Fitness Customer Service at 800-351-3737.

The following connection receptacles are located at the front of the Recumbent Lifecycle Exercise Bike:

- E. 12-V Power for Attachable TV or Engage Console ("DLB")
- F. Broadcast Supply Input Coaxial Cable
- G. 36-V External Power
- H. Fitness Networking



**CAUTION:**  
 Connectors should easily fit into the receptacles. Forcing a connection may lead to damage to the barrel connector and/or receptacle and may void product warranty.

# 97C, 95C Upright Lifecycle® Exercise Bike

## Check for External Power

The Engage™ (15" LCD) Console that is serial coded "DLB" can receive both analog and digital signals. Life Fitness is not responsible for the installation of CATV service or components required for the delivery of CATV service. An external TV signal input via a 75-ohm coaxial cable must be present before TV setup can occur.

The Engage Console that is serial coded "DLB" for U.S. markets is powered by **two** external power supplies: a 36-volt DC power supply and a 12-volt DC power supply. "DLB" coded units have a Digital TV Tuner (NTSC/ATSC/QAM). **Note:** The Engage Console that is serial coded "ANN & ANP" for non-U.S. markets will continue to use a single 36-volt DC power supply. "ANN & ANP" coded units have an Analog TV Tuner (NTSC).

The 36-volt power supply is optional for the Inspire™ (7" LCD) and Achieve™ consoles. If a 17" Attachable TV is used with the Inspire or Achieve consoles, then a 12-volt DC power supply is needed for the 17" Attachable TV.

Product Configuration	External Power Supply
Engage Console ("DLB")	36 V and 12 V
Engage Console ("ANN" & "ANP")	36 V
Inspire or Achieve Console	36 V (optional)*
Inspire or Achieve Consoles with 17" Attachable TV	36 V (optional)* and 12 V

\*Self-Powered

### Recommended Installation of External Power Supplies:

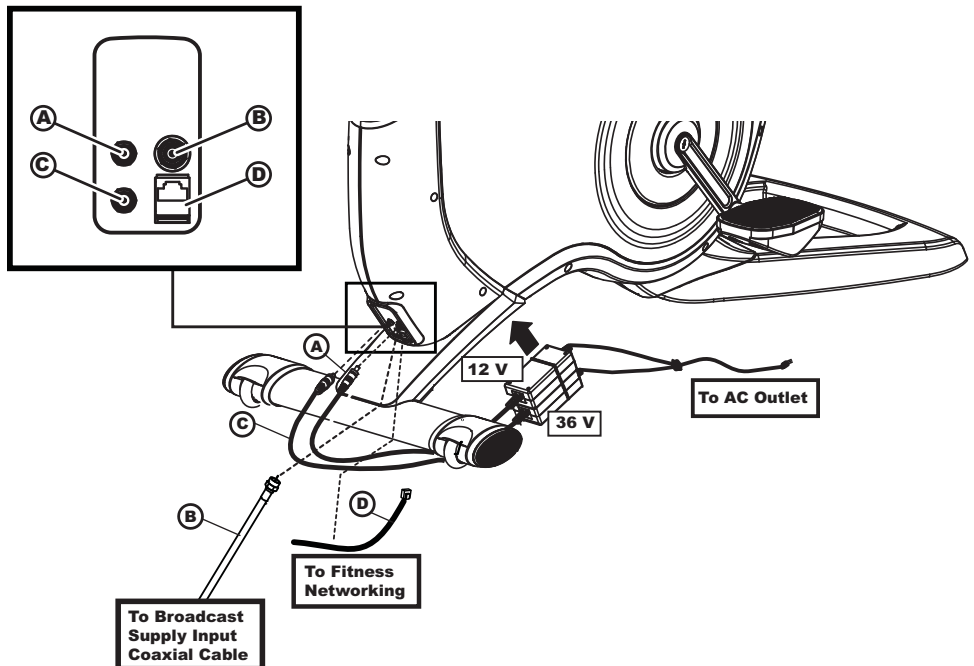
- Piggyback both external power supplies using the included cable ties.
- Remove the protective liner from one of the provided fastener strips.
- Attach the fastener strips to the bottom of one of the power supplies.
- Remove the remaining protective liner from fastener strip.
- Secure the piggybacked power supplies to the underside of the center frame as shown.
- Plug connectors to appropriate receptacles.
- Plug Y-Cord into an AC outlet.

**Note to the CATV Installer:**  
 This reminder is provided to call the CATV system installer's attention to Article 820-40 of the NEC that provides guidelines for proper grounding and, in particular, specifies that the cable ground shall be connected to the grounding system of the building as close to the point of cable entry as practical.

For external powered units, the console should immediately beep and light up. The Engage console will show a message indicating it is initializing (for up to 2 minutes). **Note:** If any of the consoles do not light up, contact Life Fitness Customer Service at 800-351-3737.

The following connection receptacles are located at the front of the Upright Lifecycle Exercise Bike:

- A. 12-V Power for Attachable TV or Engage Console ("DLB")
- B. Broadcast Supply Input Coaxial Cable
- C. 36-V External Power
- D. Fitness Networking



**CAUTION:** Connectors should easily fit into the receptacles. Forcing a connection may lead to damage to the barrel connector and/or receptacle and may void product warranty.

## Engage Console with Digital TV Tuner Board

An accessory box comes with the Digital TV Tuner Engage console packing.

### Treadmills:

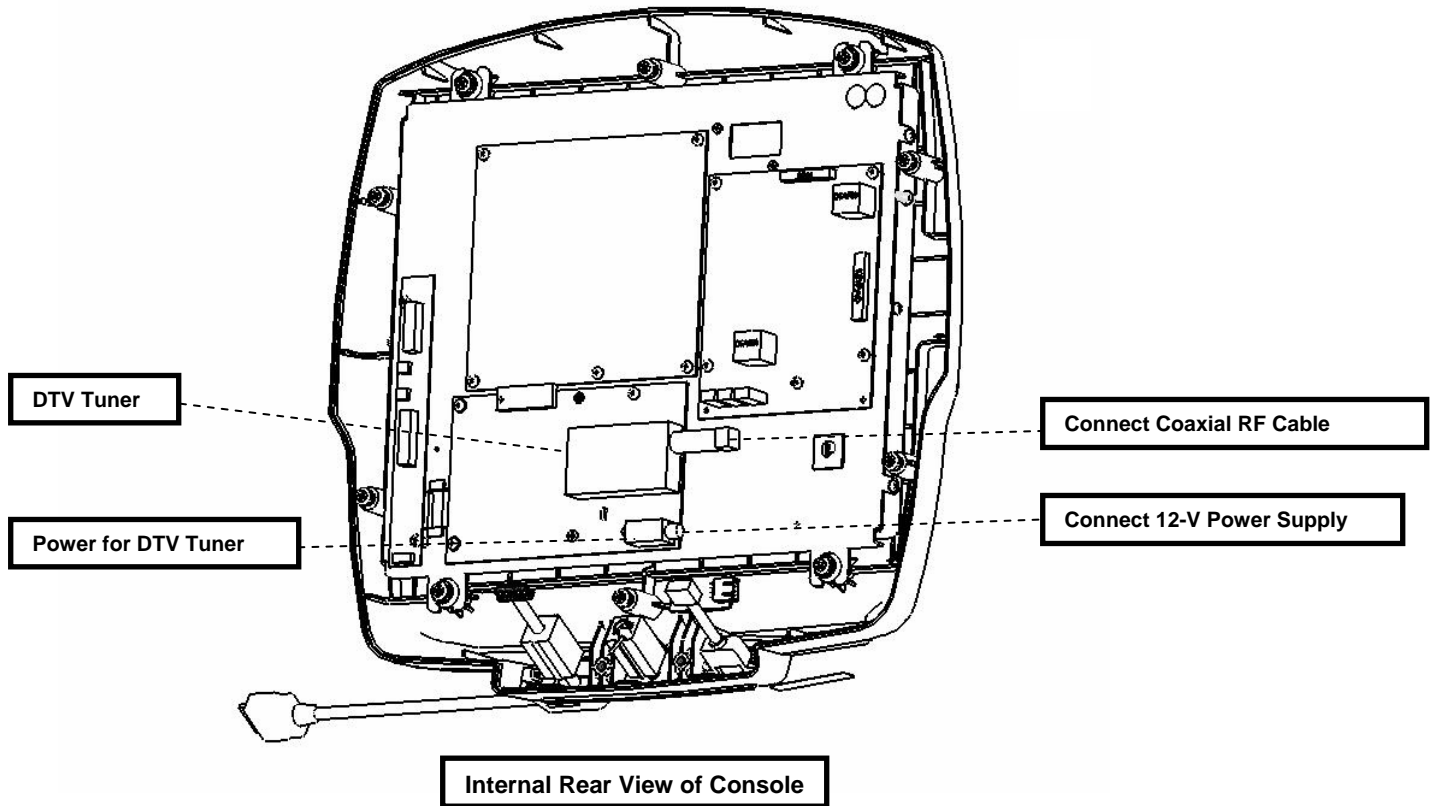
- 12-V Power Supply
- Dual locks
- Cable ties

### Bikes and Cross-Trainers:

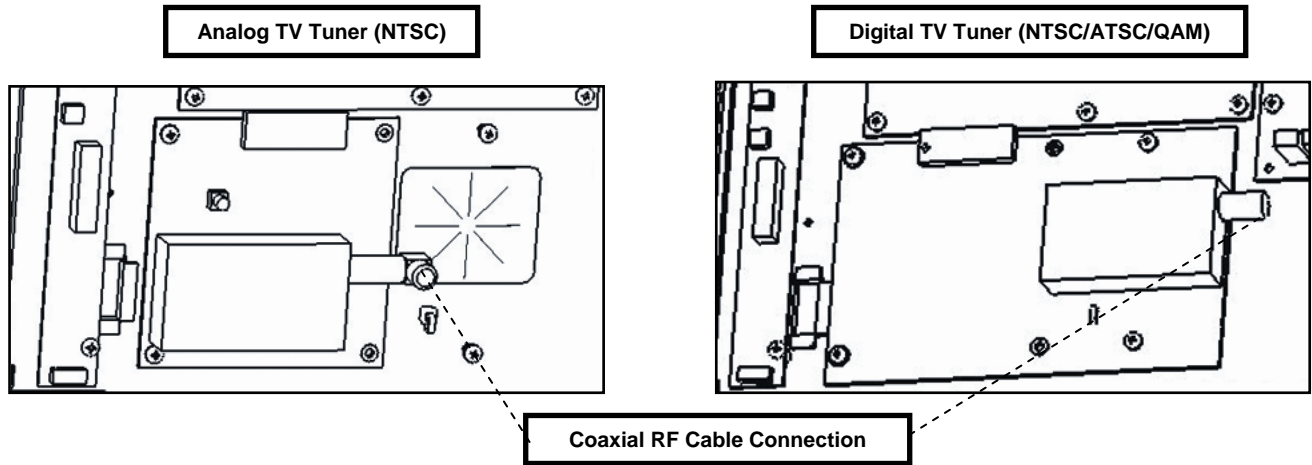
- 12-V Power Supply
- 36-V Power Supply
- Y-Cord
- Dual locks
- Cable ties

### DTV Tuner Board

The DTV Tuner Board includes the DTV Tuner and the Power for the DTV Tuner. Connections are shown below.



The Analog TV Tuner (NTSC) has an “L” shaped coaxial cable connector that is moveable and attachable. The Digital TV Tuner (NTSC/ATSC/QAM) has a fixed coaxial cable connector.



---

**Note:** If a 17" Attachable TV is used with the Inspire™ or Achieve consoles™, then the 12-Volt Power Supply connects to the corresponding receptacle on the back of the TV.